



topone

TOM SERIES

Vertical

Milling Machine

- Precision engineering
- Versatility in applications
- Sturdy construction
- User-friendly interface
- Optimized for efficiency
- Adaptable to automation
- Tailored solutions
- Reliable performance





★ **HEAD TILTS & SWIVELS**

The milling head can be tilted 45° forward and backward, swivelled 90° right and left.

Models TOM-2SG, TOM-2VSG, TOM-3HG, TOM-3VHG only.



★ **16 SPINDLE SPEEDS AVAILABLE(OPTIONAL)**

When required, 16 spindle speed can be provided. Available on models TOM-2SG, TOM-3HG only.



★ **POWER FEED UNIT(OPTIONAL)**

The high performance power feed unit provides infinitely variable feed rates.

The feed rate can be adjusted with the power on or off.



★ **RIGOROUS ACCURACY INSPECTION**

Each machine is subject to rigorous inspection to ensure an accurate machining result.

topone

topone Superior design and manufacturing, for superior performance.

Today, **topone** has the resources you need to meet your milling performance requirements.

We are proud of the experience and knowledge that has been brought together to design and manufacture these new models, and confident of their ability to meet market demands.



topone

TOM-2SG

- **STEP SPEED HEAD.**
- **42" x 9" TABLE.**
- **3HP MOTOR.**
- Meehanite castings.
- Hardened & ground cross slide way and table.
- Chrome hardened, ground quill.
- High precision 7207 CP4 spindle bearings.
- Turcite-B coated on the cross and longitudinal way.
- Dovetail way-X,Y,Zaxis.



TOM-2VSG

- **VARIABLE SPEED HEAD.**
- **42" × 9" TABLE.**
- **3HP MOTOR.**
- Meehanite castings.
- Hardened & ground cross slide way and table.
- Chrome hardened, ground quill.
- High precision 7207 CP4 spindle bearings.
- Turcite-B coated on the cross and longitudinal way.
- Dovetail way-X,Y,Zaxis.





● Square way-Y axis (Optional)

TOM-3HG

- STEP SPEED HEAD.
- 50"×10"TABLE.
- 3HP MOTOR.
- Meehanite castings.
- Hardened & ground cross slide way and table.
- Chrome hardened,ground quill.
- High precision 7207 CP4 spindle bearings.
- Turcite-B coated on the cross and longitudinal way.
- Dovetail way-X,Y,Zaxis.



topone



● Square way-Y axis (Optional)

TOM-3VHG

- **VARIABLE SPEED HEAD.**
- **50" × 10" TABLE.**
- **3HP MOTOR.**
- Meehanite castings.
- Hardened & ground cross slide way and table.
- Chrome hardened, ground quill.
- High precision 7207 CP4 spindle bearings.
- Turcite-B coated on the cross and longitudinal way.
- Dovetail way-X,Y,Zaxis.



topone

TOM-4K

- **HEAVY DUTY MODEL.**
- **STEP SPEED HEAD.**
- **50" x 10" TABLE.**
- **5HP MOTOR.**
- Powered table elevation with safety switch.
- Electric control box.
- Halogen work lamp.
- Auto-lubrication.
- Meehanite castings.
- Hardened & ground cross slide way and table.
- Chrome hardened, ground quill.
- High precision 7010 CP4 spindle bearings.
- Turcite-B coated on the cross and longitudinal way.
- Hardened & ground knee slide way.
- Square way-Y,Zaxis.
- Dovetail way-Xaxis.



TOM-4VK

- **HEAVY DUTY MODEL.**
- **VARIABLE SPEED HEAD.**
- **50" × 10" TABLE.**
- **5HP MOTOR**
- Powered table elevation with safety switch.
- Electric control box.
- Halogen work lamp.
- Auto-lubrication.
- Meehanite castings.
- Hardened & ground cross slide way and table.
- Chrome hardened, ground quill.
- High precision 7010 CP4 spindle bearings.
- Turcite-B coated on the cross and longitudinal way.
- Hardened & ground knee slide way.
- Square way-Y,Zaxis.
- Dovetail way-X axis.



topone

TOM-5K

- HEAVY DUTY MODEL.
- HIGH COLUMN.
- STEP SPEED HEAD.
- 50" x 10" TABLE.
- 5HP MOTOR.
- Powered table elevation.
- Electric control box with safety switch.
- Halogen work lamp.
- Auto-lubrication.
- Meehanite castings.
- Hardened & ground cross slide way and table.
- Chrome hardened, ground quill.
- High precision 7210 CP4 spindle bearings.
- Turcite-B coated on the cross and longitudinal way.
- Hardened & ground knee slide way.
- Square way-Y,Z-axis.
- Dovetail way-X axis.



TOM-5VK

- **HEAVY DUTY MODEL.**
- **HIGH COLUMN.**
- **VARIABLE SPEED HEAD.**
- **50"×10" TABLE.**
- **5HP MOTOR.**
- Powered table elevation.
- Electric control box with safety switch.
- Halogen work lamp.
- Auto-lubrication.
- Meehanite castings.
- Hardened & ground cross slide way and table.
- Chrome hardened, ground quill.
- High precision 7210 CP4 spindle bearings.
- Turcite-B coated on the cross and longitudinal way.
- Hardened & ground knee slide way
- Square way-Y,Z-axis.
- Dovetail way-X axis.



MODEL	TOM-2SG	TOM-2VSG	TOM-3HG	TOM-3VHG
SPINDLE				
Spindle taper	R8 (NST30)	R8 (NST30)	R8 (NST30)	R8 (NST30)
Spindle speeds	80–2720 RPM (8 Speeds standard) 160–5440 RPM (16 Speeds optional)	60–4200 RPM (Variable)	80–2720 RPM (8 Speeds standard) 160–5440 RPM (16 Speeds optional)	60–4200 RPN (Variable)
Quill diameter	φ 85.725mm (3.37")	φ 85.725mm (3.37")	φ 85.725mm (3.37")	φ 85.725mm (3.37")
Quill travel	127mm (5")	127mm (5")	127mm (5")	127mm (5")
Quill feeds	0.04mm (0.0015") 0.08mm (0.0030") 0.15mm (0.0060")	0.04mm (0.0015") 0.08mm (0.0030") 0.15mm (0.0060")	0.04mm (0.0015") 0.08mm (0.0030") 0.15mm (0.0060")	0.04mm (0.0015") 0.08mm (0.0030") 0.15mm (0.0060")
Head tilt	45° Forward & Back 90° Right & Left	45° Forward & Back 90° Right & Left	45° Forward & Back 90° Right & Left	45° Forward & Back 90° Right & Left
Spindle motor	3HP	3HP	3HP	3HP
TABLE				
Table size	1067 × 230mm (42" × 9") Standard 1244 × 230mm (49" × 9") Optional	1067 × 230mm (42" × 9") Standard 1244 × 230mm (49" × 9") Optional	1270 × 254mm (50" × 10")	1270 × 254mm (50" × 10")
Longitudinal travel(X)	762mm (30") 914mm (36")	762mm (30") 914mm (36")	914mm (36")	914mm (36")
Cross travel(Y)	305mm (12")	305mm (12")	406mm (16")	406mm (16")
Vertical trave(Z)	406mm (16")	406mm (16")	406mm (16")	406mm (16")
T-slot(width × trough number × pitch)	16mm × 3 × 64mm	16mm × 3 × 64mm	16mm × 3 × 65mm	16mm × 3 × 65mm
RAM				
Ram travel	305mm (12")	305mm (12")	610mm (24")	610mm (24")
Machine weight	1000kgs (2200lbs)	1000kgs (2200lbs)	1280kgs (2816lbs)	1280kgs (2816lbs)
Machine dimension(L × W × H)	1600 × 1450 × 2100mm	1600 × 1450 × 2200mm	1750 × 1700 × 2200mm	1750 × 1700 × 2200mm
Packing dimension	1450 × 1450 × 1900mm	1450 × 1450 × 1900mm	1500 × 1650 × 1980mm	1550 × 1650 × 1980mm

TOM-2SG,2VSG,3HG,3VHG

STANDARD ACCESSORIES:

1. One shot lubrication.
2. Draw bar.
3. Tools & tool box.
4. Way cover.
5. Operation manual.

TOM-4K,4VK,5K,5VK

STANDARD ACCESSORIES:

1. Auto-Lubrication.
2. Draw bar.
3. Tools & tool box.
4. Operation manual.
5. Way cover.
6. Electric control box.
7. Work lamp.
8. Power table elevation.

TOM-4K	TOM-4VK	TOM-5K	TOM-5VK	TOM-3VK(NC FRAME)
NST40	NST40	NST40	NST40	R8(NST30)
70-3600 RPM (10 Speeds)	70-3900 RPM (Variable)	70-3600 RPM (10 Speeds)	70-3900 RPM (Variable)	60-4200 RPM (Variable)
φ100mm (3.93")	φ100mm (3.93")	φ105mm (4.13")	φ105mm (4.13")	φ85.725mm (3.37")
127mm (5")	127mm (5")	150mm (6")	150mm (6")	127mm (5")
0.04mm (0.0015") 0.08mm (0.0030") 0.15mm (0.0060")	0.04mm (0.0015") 0.08mm (0.0030") 0.15mm (0.0060")	0.04mm (0.0015") 0.08mm (0.0030") 0.15mm (0.0060")	0.04mm (0.0015") 0.08mm (0.0030") 0.15mm (0.0060")	
90° Right & Left	90° Right & Left	90° Right & Left	90° Right & Left	
5HP	5HP	5HP	5HP	3HP
1270 × 254mm (50" × 10")	1270 × 254mm (50" × 10")	1270 × 254mm (50" × 10")	1270 × 254mm (50" × 10")	1270 × 254mm (50" × 10")
800mm (31.5")	800mm (31.5")	620mm (24.4")	620mm (24.4")	800mm (31.5")
420mm (16 1/2")	420mm (16 1/2")	420mm (16 1/2")	420mm (16 1/2")	380mm (15")
420mm (16 1/2")	420mm (16 1/2")	508mm (20")	508mm (20")	406mm (16")
16mm × 3 × 65mm	16mm × 3 × 65mm	16mm × 3 × 65mm	16mm × 3 × 65mm	16mm × 3 × 65mm
610mm (24")	610mm (24")	610mm (24")	610mm (24")	
1650kgs (3630lbs)	1650kgs (3630lbs)	2000kgs (4400lbs)	2000kgs (4400lbs)	1400kgs (3080lbs)
2000 × 1700 × 2450mm	2000 × 1700 × 2450mm	2000 × 1700 × 2550mm	2000 × 1700 × 2550mm	1750 × 1700 × 2270mm
1500 × 1650 × 2100mm	1550 × 1650 × 2100mm	1500 × 1650 × 2200mm	1550 × 1650 × 2200mm	1800 × 1600 × 2400mm

★ All specifications, design and characteristics show on this catalogue are subject to change without prior notice.

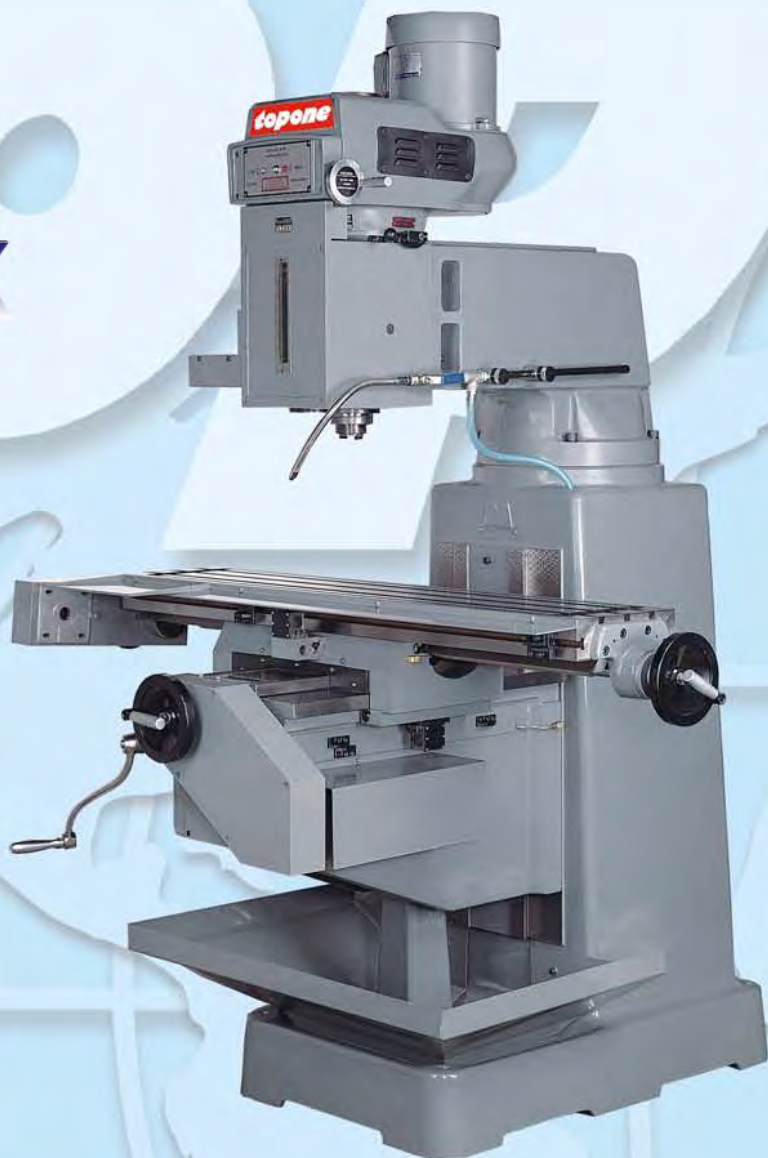
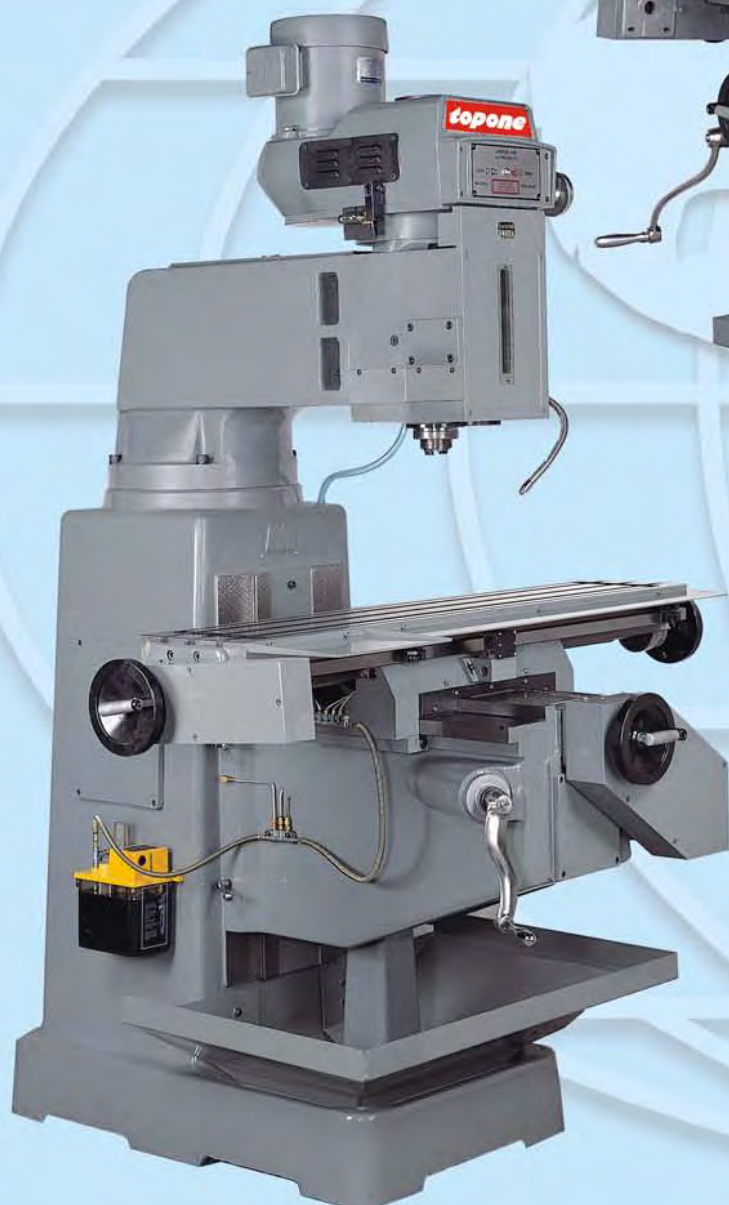
OPTIONAL ACCESSORIES :

- 1.Clamping Kit set.
- 2.6"Angle vise.
- 3.Horizontal and vertical rotary table.
- 4.Power feed(X,Y,Z-axis).
- 5.R8 collet set.
- 6.NST #30 arbor & collet.
- 7.NST #40 arbor & collet.
- 8.Work lamp.
- 9.Y-axes square way(3HG,3VHG)
- 10.Collant system.
- 11.Chip pan.
- 12.Right angle attachment.
- 13.Electric control box and panel.
- 14.Powered table elevation.
- 15.Ball screw(X,Y-axis).
- 16.Digital readout system.

topone

TOM-3VK

(NC Frame)



o*ne*



TOPONE

The logo for TOPONE, featuring the word "topone" in a stylized, lowercase, italicized font. The letters are white with a red outline and are set against a red, rounded rectangular background.

TOP-ONE MACHINERY CO., LTD.

NO. 801, Shen Chou Rd., Chi Chou
Village, Shen Kang Hsiang,
Taichung Hsien, Taiwan, R.O.C.
TEL:886-4-25612901 FAX:886-4-25610534
E-mail:topone@topone-m-com
<http://www.topone-m.com>